



Shrewsbury Flower Show

Friday 12th & Saturday 13th August 2022

DINGLE MARQUEE

(FLORAL ART SCHEDULE)

Theme: **TIME TO CELEBRATE**

Closing Date for Entries: Friday 22nd July 2022

If you have any queries, please email
info@shrewsburyflowershow.org.uk or call 01743 234055



Shropshire Horticultural Society
Charity Number: 501564

SHROPSHIRE HORTICULTURAL SOCIETY

Quarry Lodge, Shrewsbury, SY1 1RN

Telephone: (01743) 234050

www.shrewsburyflowershow.org.uk



WELCOME BACK!

The Dingle Marquee will have a new look for 2022, so please read the schedule and entry information carefully.

The Shropshire Horticultural Society would like to encourage all its exhibitors to use biodegradable floral foam in their exhibits where possible.

The Society's utmost priority is the safety of everyone involved in the 2022 Shrewsbury Flower Show. It therefore reserves the right to reasonably revise, remove or amend the content of this schedule, where necessary.

General Theme: *Time to Celebrate*

Closing Date for Entries: Friday 22nd July 2022

(The Society reserves the right to limit entries as necessary)

FLORAL ART REGULATIONS: All classes will be judged in accordance with the NAFAS Competition Manual (**Third edition, 2015**) with the exception of **Class 307 & 316** which will be judged and marks allocated in accordance with the UK Floristry Judges Guild, Judges Marketing Facets (www.floristryjudgesguild.co.uk).

An EXHIBIT is composed of natural plant material, with or without accessories, contained within a space as specified in a show schedule.

NAFAS Rules state that disqualification will take place for the following reasons:

- Failure to comply with any specific requirements of a class as stated in a show schedule i.e. the measurements or the components.
- Inclusion of any fresh plant material that does not have its roots or the cut ends of its stems in water or water-retaining material. *For exclusions see the NAFAS Competitions Manual (Third Edition 2015)*
- Inclusion of artificial plant material, unless specifically allowed by a show schedule.

All exhibits, unless otherwise specified in the schedule, to be made up/staged in the marquee and must be the unaided work of each exhibitor.

For further details and definitions please refer to the NAFAS Competitions Manual (Third Edition, 2015) in accordance with which classes will be judged which is available from NAFAS Headquarters, Osborne House, 12 Devonshire Square, London EC2M 4TE.

Height of backcloth above tabling approximately 82cms, draped in Pale Green. EXHIBITS MAY EXCEED THIS IF DESIRED. Staging for all classes, unless otherwise specified, approximately 90cms above ground level. All measurements are approximate to cover any unavoidable irregularities.

Staging Times:

9.00am Thursday 11th August to 6.00am Friday 12th August.

Please note tea/coffee and biscuits will be provided (bring your own cup/mug please).

Junior exhibitors will be supervised by a Steward while displaying their exhibits.

Judging Times:

Judging will begin at 6.15am Friday 12th August. The Marquee must be cleared of all exhibitors by 6.00am.

THE JUDGES DECISION IS FINAL.

ALL CLASSES WILL BE JUDGED FROM THE FRONT UNLESS OTHERWISE SPECIFIED.

The marquee will be cleared of people at 5.45pm on Saturday 13th August. No dismantling of exhibits may take place until exhibitors are re-admitted at 6pm. The marquee will be closed at 7.30pm by which time all exhibits must be removed or they will be disposed of by the Society. **There will be a separate bin for the disposal of non-biodegradable floral foam.**

NB: THE USE OF AEROSOL SPRAYS WITHIN THE MARQUEE IS STRICTLY FORBIDDEN.

Entry Fees (including VAT)

For 3 entries or less	£10.00
For each additional entry	£1.50
Children's Classes	£1.00

Members of the Shropshire Horticultural Society's General Committee may not exhibit in the competitive classes. All exhibitors must comply with the regulations of the Society as stated. Non-observance of them may result in withholding of awards.

Cancellation of Entries

Exhibitors unable or failing to stage their exhibit will **NOT** be refunded.

Exhibitors' Badges/Collection Tickets/Collection Permits

After exhibits have been staged a Steward will issue the relevant badge/collection ticket/collection permit.

Badges must always be signed and worn during the show.

Collection tickets must be signed on the back and be available for inspection if required.

All Junior Exhibitors will be issued with an Exhibitors Badge.

Vehicles

Exhibitors' vehicles must be removed from the Showground before 7.00am on Friday 12th August. A 10 miles per hour speed limit will always be enforced around the Showground. Any remaining vehicles will be towed away at a cost of £100 to the exhibitor.

Only vehicles with the appropriate Collection Permit clearly displayed in their vehicle will be admitted after 6.45pm on Saturday at the Welsh Bridge Gate entrance and must exit via Priory Road Gate.

Please note: Only persons in vehicles with the correct badge/ticket will be allowed entry to the Showground.

Vehicle passes are issued at the discretion of the Society.

Any instruction issued by SLS Security **must** always be complied with.

Dogs

Assistance dogs: Assistance dogs only are welcomed in all areas.

Please note that no other dogs are allowed on the Showground.

FLORAL ART JUDGES

Margaret Rumens

Pam Fleming Williams

Sue Clissold

Howard Franklin

Judith Mackley

FLORAL ART TROPHIES

THE GILBERT SMITH CUP

for Class 300

THE GODFREY BAZELEY CUP

for Class 301

THE GORDON BRADLEY TROPHY

for Class 302

THE SHREWSBURY FLOWER CLUB SALVER

for Class 303

THE HOWARD FRANKLIN CRYSTAL ROSE BOWL

for Class 307

THE ROSA PERRY LLOYD SALVER

for Class 308

THE ROYAL BANK OF SCOTLAND ROSE BOWL

for Class 310

THE BOBBIE HARRIS MEMORIAL TROPHY for an exhibit for Foliage

for Class 311

THE EDITH ANNE GRIFFITHS MEMORIAL VASE

for Class 312

THE MURIEL TIPTON TROPHY

for Class 315

THE ARTHUR H. JONES TROPHY for the Best Exhibit of Floral Art

Classes 301–306 & 308–316

THE DAVID EVANS MEMORIAL TROPHY

to be awarded to the Exhibitor making the **Best Use of Colour in Floral Art**

Classes 301-306 & 308-316

THE GREDINGTON CUP

to be awarded to the Exhibitor gaining the highest number of first prizes in the Floral Art section, Classes 301 to 316.

In the event of a tie the Second and Third Prizes will be taken into account.

THE B.B.C. CHILDREN'S CUP (Junior Section) for Best Children's Exhibit

in Class 322

THE BRASSINGTON GLASS BOWL (Intermediate) for Best Exhibit

in Class 323

THE B.B.C. CHILDREN'S CUP (Senior Section) for Best Exhibit

in Class 324

TIME TO CELEBRATE

All classes with be JUDGED from the FRONT unless otherwise stated.

Class	Description	1 st	2 nd	3 rd
300	<u>CELEBRATE YOUR GARDEN</u>			

An exhibit. Entry by invitation to Flower Clubs or Contemporary Floral Art Groups. Space allowed: Rectangular Staging. Width 180cm x Depth 150cm x 45cm above ground level. Garden plant material to predominate. An open back timber frame will be provided. The top of the frame will be 250cm from ground level.

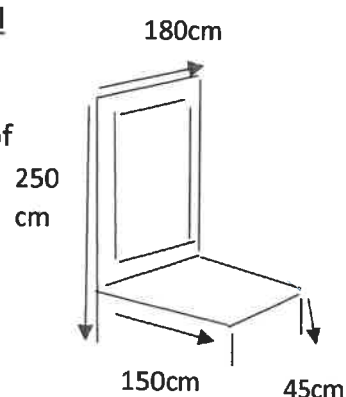
No skirting or other covering will be provided. To be staged by no more than 4 persons- all named on the entry form.

Exhibit title to be incorporated.

Exempt from fee.

The Shropshire Horticultural Society contributes the sum of £200 per club/group towards the staging of the Exhibit.

THE GILBERT SMITH CUP



301	<u>WINNING AT THE RACES</u>	£80	£45	£25
-----	-----------------------------	-----	-----	-----

An exhibit to be staged on a triangular stand as illustrated.

A black painted triangular base 90cm x 90cm x 90cm and 7.5cm above ground level, will be provided by the Society. Height of Exhibit optional. Natural plant material to predominate.

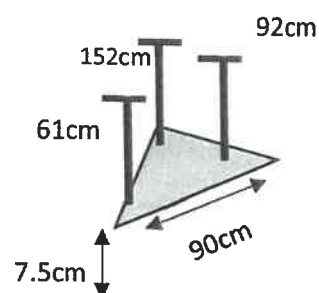
No stage covering is provided.

Exhibit to be viewed and judged from all round.

May be staged by 2 persons – both of whom must be named on the entry form.

Limited to 6 entries.

THE GODFREY BAZELEY CUP



302	<u>FREE FLOW</u>	£35	£25	£15
-----	------------------	-----	-----	-----

A Contemporary exhibit. Contemporary techniques to be showcased within the design. Natural plant material to predominate. For information on Contemporary techniques see NAFAS Competitions Manuel (Third Edition) 2015.

Space allowed: Width 60cm x Depth 60cm. Height optional.

WHERE POSSIBLE BIODEGRADABLE FLORAL FOAM TO BE USED

THE GORDON BRADLEY TROPHY

303	<u>THE QUEEN COMES TO TEA</u>	1 st £45	2 nd £30	3 rd £20
	<p>A table exhibit. Staging: <u>Circular</u> table 90cm in diameter, 70cm above ground level. Height of Exhibit optional. Natural plant material to predominate. <u>No covering provided.</u> No cutlery permitted. Exhibitor to provide own covering. To be viewed and judged from all around. THE SHREWSBURY FLOWER CLUB SALVER</p>			
304	<u>KEEP IT NATURAL</u>	£30	£20	£15
	<p><u>Semi-imposed exhibit.</u> You will be provided with: 10 x 30cm long Bamboo Skewers 10 metres of Jute string 5 wooden pegs (with metal spring) <u>All items must be used.</u> Exhibitors to provide suitable mechanics & plant material of their choice. Space allowed: Width 60cm x Depth 60cm. Height optional. <u>WHERE POSSIBLE BIODEGRADABLE FLORAL FOAM TO BE USED.</u></p>			
305	<u>CELEBRATE THE INDUSTRIAL REVOLUTION</u>	£30	£20	£15
	<p>An exhibit. <u>TO INCLUDE SOME IRONWORK.</u> Space allowed: Width 60cm x Depth 60cm. Height optional. Natural plant material to predominate.</p>			
306	<u>ROSES AND DRIFTWOOD</u>	£30	£20	£15
	<p>An exhibit. Roses <u>MUST</u> predominate and exhibit <u>to include driftwood.</u> Space allowed: Width 60cm x Depth 60cm. Height optional. <u>WHERE POSSIBLE BIODEGRADABLE FLORAL FOAM TO BE USED.</u></p>			
307	<u>HERE COMES THE RADIANT BRIDE</u>	£35	£25	£15
	<p>A FORMAL Bridal Bouquet. Any form of design construction and Floristry techniques may be used. Fresh Flowers and Plant Material must predominate. The bouquet to be displayed against a suitable fabric of the Bride's Gown. Space allowed: Width 90cm x Depth 60cm, Height optional. <u>This exhibit may be brought to the marquee already assembled.</u> Florists may enter this class. Exhibitors are permitted to display a small business card no larger than 10cm x 6cm by their exhibit (<u>card to be displayed after judging has been completed.</u>) This class will be judged and marks allocated in accordance with the UK Floristry Judges Guild, Judges Marking Facets. THE HOWARD FRANKLIN CRYSTAL ROSE BOWL</p>			

308	<u>CROWNING GLORY</u>	1st	2nd	3rd
		£30	£20	£15
	<p>Craft exhibit. A floral crown. Natural plant material to predominate. Exhibitor to provide own staging if required. Space allowed: Width 60cm x Depth 60cm. Height optional. <u>Exhibit may be brought in ready assembled.</u> <u>WHERE POSSIBLE BIODEGRADABLE FLORAL FOAM TO BE USED.</u> THE ROSA PERRY LLOYD SALVER</p>			
309	<u>LIVE WIRE</u>	£25	£15	£10
	<p>A small scale exhibit. Natural plant material to predominate. Space allowed: Width 25cm x Depth 25cm x Height 37cm. <u>Exhibit may be brought in already assembled.</u></p>			
310	<u>EXPLOSION OF FIREWORKS</u>	£65	£45	£25
	<p>A pedestal exhibit. Exhibitor to provide <u>own</u> pedestal. Space allowed: Width 137cm x Depth 90cm. Height of exhibit optional. Pedestal will stand on a platform, Width 60cm x Depth 60cm x 7.5cm above ground level. Natural plant material to predominate. <u>Exhibitors to provide own cover for platform.</u> THE ROYAL BANK OF SCOTLAND ROSE BOWL</p>			
311	<u>DISCOVERING MY LITTLE PATCH</u>	£25	£15	£10
	<p>An exhibit. <u>Foliage MUST predominate.</u> Space allowed: Width 60cm x Depth 60cm. Height optional. <u>WHERE POSSIBLE BIODEGRADABLE FLORAL FOAM TO BE USED</u> THE BOBBIE HARRIS MEMORIAL TROPHY</p>			
312	<u>BLOOMIN' MARVELLOUS</u>	£25	£15	£10
	<p>An exhibit. Competitors will be provided with 5 single stems of large green bloom chrysanthemums <u>which must be used.</u> <u>Exhibitors to</u> <u>provide suitable mechanics & plant material of their choice.</u> Open only to exhibitors staging two or more entries. Space allowed: Width 60cm x Depth 60cm. Height optional. Sponsored by "FLEURTATIONS", Shrewsbury who are providing the chrysanthemums. THE EDITH ANNE GRIFFITHS MEMORIAL VASE</p>			

313 FOR A LOVED ONE

1st 2nd 3rd
£30 £20 £15

A Craft exhibit. **Three items of wearable floral jewellery.**

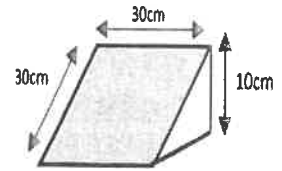
Natural plant material to predominate.

Space allowed: a sloping surface, Width 30cm x Depth 30cm x Height 10cm. Staging will be provided by the Society.

Exhibitors to provide own covering for the staging.

Exhibit may be brought in ready assembled.

NO FLORAL FOAM TO BE USED



314 UNDERWATER WONDERS

£30 £20 £15

A Seascape exhibit. Natural plant material to predominate.

See guidelines on the Wildlife & Countryside Act 1981, NAFAS Competitions Manual (Third Edition) 2015.

Space allowed: Width 60cm x Depth 60cm. Height optional.

WHERE POSSIBLE BIODEGRADABLE FLORAL FOAM TO BE USED

315 THE MARVELS OF NATURE

£35 £25 £15

An exhibit in a Contemporary Construction style.

Natural plant material to predominate. (For definition see NAFAS Competition Manual Third Edition 2015)

Space allowed: Width 90cm x Depth 60cm. Height optional.

WHERE POSSIBLE BIODEGRADABLE FLORAL FOAM TO BE USED

THE MURIEL TIPTON TROPHY

316 BALMORAL

£30 £20 £15

PRESENTATION BOUQUET

Using Tied Assembly Construction, a small bouquet to be presented to Her Majesty the Queen on her visit to Scotland during the Platinum Jubilee.

Fresh Flowers, Foliage and Ribbon may be used.

The bouquet should be displayed in water.

Space allowed: Width 90cm x Depth 60cm, Height optional.

This exhibit may be brought to the marquee already assembled.

This class will be judged and marks allocated in accordance with the UK Floristry Judges Guild, Judges Marking Facets.

TIME TO CELEBRATE

UNDER 18 YEARS FLORAL ART SECTION:

Entry fee for Junior classes is £1.00 per class entered

The age of exhibitors entering the Junior/Intermediate/Senior Section must be included on the Entry Form.

All classes will be JUDGED from the FRONT unless otherwise stated.

Class	Description	1 st Prize	2 nd Prize	3 rd Prize
	<u>Junior Section</u> (Children <u>under 8 years</u> of age on 1st August 2022)			
322	<u>MY BIRTHDAY PARTY</u> An exhibit. <u>Natural plant material to predominate.</u> Space allowed: Width 60cm x Depth 60cm. Height optional. <u>Some preparation work may be included but exhibit to be arranged and staged in the marquee by the Exhibitor without the help from anyone else.</u> Age can be displayed on a small card but <u>not</u> name. THE BBC CHILDREN'S CUP JUNIOR SECTION	£15	£10	£5
	<u>Intermediate Section</u> (Children <u>under 13 years</u> of age on 1st August 2022)			
323	<u>A KALEIDOSCOPE</u> An exhibit. <u>Natural plant material to predominate.</u> Space allowed: Width 60cm x Depth 60cm. Height optional. <u>Some pre done work may be included but exhibit to be arranged and staged in the marquee by the Exhibitor without the help from anyone else.</u> Age can be displayed on a small card but <u>not</u> name. THE BRASSINGTON GLASS BOWL	£20	£15	£10
	<u>Senior Section</u> (Persons <u>under 18 years</u> of age on 1 st August 2022)			
324	<u>WONDERS OF SPACE</u> An exhibit. <u>Natural plant material to predominate.</u> Space allowed: Width 60cm x Depth 60cm. Height optional. Exhibit to be arranged on Thursday 11 th August 2022 <u>between 5pm & 8pm in the Marquee under the supervision of a Steward</u> Age can be displayed on a small card but <u>not</u> name. THE BBC CHILDREN'S CUP SENIOR SECTION	£25	£18	£12

THE CHILDREN'S AREA WILL BE ROPED OFF DURING THE STAGING OF THE DISPLAYS
Where possible Exhibitors are encouraged to use biodegradable floral foam

SAVE THE DATE

The 2023

Shrewsbury Flower Show

will be held

on

Friday 11th & Saturday 12th August



www.shrewsburyflowershow.org.uk

info@shrewsburyflowershow.org.uk