



Shrewsbury Flower Show

Friday 8th & Saturday 9th August
2025

FLORAL ART SCHEDULE

“A HINT OF MAGIC”

(Dingle Marquee)

Closing Date for Entries Friday 11th July 2025

If you have any queries, please email
info@shrewsburyflowershow.org.uk
or call 01743 234055



Shropshire Horticultural Society
Charity Number: 501564

SHROPSHIRE HORTICULTURAL SOCIETY
Quarry Lodge, Shrewsbury, SY1 1RN
Telephone: (01743) 234050
www.shrewsburyflowershow.org.uk



The Shropshire Horticultural Society would like to encourage all its exhibitors to use biodegradable floral foam in their exhibits where possible.

The Society's utmost priority is the safety of everyone involved in the 2025 Shrewsbury Flower Show. It therefore reserves the right to reasonably revise, remove or amend the content of this schedule, where necessary.

Please read ALL schedule and entry information carefully.

General Theme: ***A HINT OF MAGIC***

Closing Date for Entries: Friday 11th July 2025

(The Society reserves the right to limit entries as necessary)

FLORAL ART SCHEDULE: All classes will be judged in accordance with the NAFAS Competitions Manual (**Fourth Edition 2023**) with the exception of **Class 307 & 316** which will be judged and marks allocated in accordance with the UK Floristry Judges Guild, Judges Marketing Facets (www.floristryjudgesguild.co.uk).

An EXHIBIT is composed of natural plant material in all its forms, with or without accessories, contained within a space as specified in a show schedule. In all exhibits natural plant material **must** predominate.

NAFAS Rules state that disqualification will take place for the following reasons:

- Failure to comply with any specific requirements of a class as stated in a show schedule i.e. the measurements or the components.
- Inclusion of any fresh plant material that does not have its roots or the cut ends of its stems in water or water-retaining material. *For exclusion see the NAFAS Competitions Manual (Fourth Edition 2023)*
- Inclusion of artificial plant material, *unless* specifically allowed by a show schedule.

For further details and definitions please refer to the NAFAS Competitions Manual (Fourth Edition 2023) in accordance with which classes will be judged which is available from NAFAS Headquarters, 1st Floor, 42-44 Bishopsgate, London EC2N 4AH.

All exhibits to be made up/staged in the marquee and must be the unaided work of each exhibitor, unless otherwise specified in the schedule.

Height of backcloth above tabling approximately 80cms, draped in Pale Green, unless otherwise stated. EXHIBITS MAY EXCEED THIS IF DESIRED. Staging for all classes, unless otherwise specified, approximately 75cms above ground level. All measurements are approximate to cover any unavoidable irregularities.

Staging Times:

9am Thursday 7th August to 6am Friday 8th August.
Please note tea/coffee and biscuits will be provided.

Judging Times:

Judging will begin promptly at 6.30am Friday 8th August. The Marquee must be cleared of all exhibitors by 6.00am.

THE JUDGES' DECISION IS FINAL.

ALL CLASSES WILL BE JUDGED FROM THE FRONT UNLESS OTHERWISE SPECIFIED.

The marquee will be cleared of people at 5:45pm on Saturday 9th August. No dismantling of exhibits may take place until exhibitors are re-admitted at 6pm. The marquee will be closed at 7:30pm by which time all exhibits must be removed or they will be disposed of by the Society.

There will be a separate bin for the disposal of non-biodegradable floral foam.

Entry Fees (including VAT)

| | |
|---------------------------|--------|
| For 3 entries or less | £10.00 |
| For each additional entry | £1.50 |
| Children's Classes | £1.00 |

Members of the Shropshire Horticultural Society's General Committee may not exhibit in the competitive classes. All exhibitors must comply with the regulations of the Society as stated. Non-observance of them may result in withholding of awards.

Cancellation of Entries

Exhibitors unable or failing to stage their exhibit will **NOT** be refunded.

Exhibitors' Badge/Collection Permit/Vehicle Collection Permits

After exhibits have been staged a Steward will issue the relevant badge/collection permit/vehicle collection permit.

Badges must always be signed and worn during the show.

All Junior Exhibitors will be issued with an Exhibitors Badge.

Vehicles

Exhibitors' vehicles must be removed from the Showground before 7am on Friday 8th August.

A 10 miles per hour speed limit will always be enforced around the Showground.

Any remaining vehicles will be towed away at a cost of £100 to the exhibitor.

Only vehicles with the appropriate Collection Permit clearly displayed in their vehicle will be admitted after 6:45pm on Saturday at the Welsh Bridge Gate entrance and must exit via Priors Road Gate.

Please note: Only persons in vehicles with the correct badge/ticket will be allowed entry to the Showground.

Vehicle passes are issued at the discretion of the Society.

Any instruction issued by Security **must** always be complied with.

Dogs

Assistance dogs: Assistance dogs only are welcomed in all areas.

Please note that no other dogs are allowed on the Showground.

FLORAL ART TROPHIES

THE GILBERT SMITH CUP

for Class 300

THE GODFREY BAZELEY CUP

for Class 301

THE GORDON BRADLEY TROPHY

for Class 302

THE SHREWSBURY FLOWER CLUB SALVER

for Class 303

THE HOWARD FRANKLIN CRYSTAL ROSE BOWL for the Best Floristry Exhibit.

for Class 307

THE ROSA PERRY LLOYD SALVER

for Class 308

THE ROYAL BANK OF SCOTLAND ROSE BOWL

for Class 310

THE BOBBIE HARRIS MEMORIAL TROPHY for an exhibit for Foliage.

for Class 311

THE EDITH ANNE GRIFFITHS MEMORIAL VASE

for Class 312

THE MURIEL TIPTON TROPHY

for Class 315 Open to Exhibitors who have **NOT** won a Prize at this Show.

THE ARTHUR H. JONES TROPHY for the Best Exhibit of Floral Art.

Classes 301–306 & 308–316

THE DAVID EVANS MEMORIAL TROPHY

to be awarded to the Exhibitor making the **Best Use of Colour in Floral Art.**

Classes 301-306 & 308-316

THE GREDINGTON CUP

to be awarded to the Exhibitor gaining the highest number of first prizes in the Floral Art section, Classes 301 to 316.

In the event of a tie the Second and Third Prizes will be taken into account.

THE B.B.C. CHILDREN'S CUP (Junior Section) for Best Children's Exhibit.

in Class 322

THE BRASSINGTON GLASS BOWL (Intermediate) for Best Exhibit.

in Class 323

THE B.B.C. CHILDREN'S CUP (Senior Section) for Best Exhibit.

in Class 324

A HINT OF MAGIC

All classes will be judged from the front unless otherwise stated.

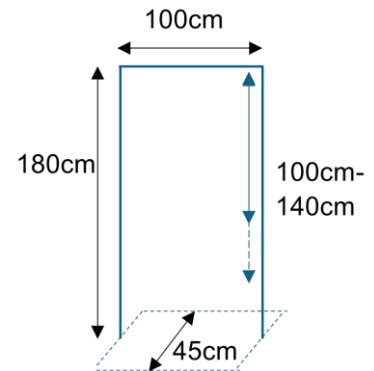
| Class | Description | 1 st | 2 nd | 3 rd |
|-------|-------------|-----------------|-----------------|-----------------|
|-------|-------------|-----------------|-----------------|-----------------|

| | | | | |
|-----|----------------------------|--|--|--|
| 300 | <u>'MIRRORS AND MAGIC'</u> | | | |
|-----|----------------------------|--|--|--|

A Group exhibit. Entry by invitation to Flower Clubs or Contemporary Floral Art Groups.
 Space allowed: Circular staging 150cm diameter x 30cms above ground level, to be covered in competitors' own fabric.
 Height of exhibit optional.
 Natural plant material to predominate.
No skirting or other covering will be provided.
To be staged by no more than 4 persons- all named on the entry form.
To be viewed and judged all round.
WHERE POSSIBLE BIODEGRADABLE FLORAL FOAM TO BE USED.
The Shropshire Horticultural Society contributes the sum of £200 per club/group towards the staging of the Exhibit.
Limited to 6 entries.
THE "GILBERT SMITH CUP"

| | | | | |
|-----|-------------------------------|-----|-----|-----|
| 301 | <u>'STARRY STARRY NIGHT'.</u> | £80 | £45 | £25 |
|-----|-------------------------------|-----|-----|-----|

A Hanging Screen exhibit.
 To be displayed on a central hook within a wooden frame, both supplied by the Society.
 Top of frame 180cm from ground level.
 Space allowed: Width 100cm x Depth 45cm x Drop length to be between 100cm-140cm, against a BLACK background.
 Exhibit may be brought in Partially assembled.
 Natural plant material to predominate.
 For definition of Hanging Screen see NAFAS Competitions Manual (Fourth Edition 2023).
 May be staged by 2 persons – both of whom must be named on the entry form.
NO FLORAL FOAM TO BE USED.
Limited to 6 entries.
THE GODFREY BAZELEY CUP



| | | | | |
|-----|--|-----|-----|-----|
| 302 | <u>'DIAGON ALLEY'</u> | £35 | £25 | £15 |
| | <p>A Parallel exhibit. Natural plant materials to predominate. For definition of Parallel see NAFAS Competitions Manual (Fourth Edition 2023). Space allowed: Width 60cm x Depth 60cm. Height optional. <u>WHERE POSSIBLE BIODEGRADABLE FLORAL FOAM TO BE USED.</u> THE "GORDON BRADLEY TROPHY"</p> | | | |
| 303 | <u>'BLACK MAGIC' A Scrumptious box of chocolates</u> | £45 | £30 | £20 |
| | <p>A Craft exhibit. Natural plant material to predominate. Space allowed: Width 40cm x Depth 40 cm. Height optional. <u>Exhibit may be brought in already assembled.</u> <u>NO FLORAL FOAM TO BE USED.</u> THE "SHREWSBURY FLOWER CLUB SALVER"</p> | | | |
| 304 | <u>'A MAGICAL MOMENT'</u> | £30 | £20 | £15 |
| | <p><u>Semi-imposed exhibit.</u> You will be provided with: 3 red sponge balls. 3 white paper cups. 3 playing cards (random) <u>ALL of all the items provided by the Society MUST be used.</u> <u>Exhibitors to provide suitable mechanics & plant material of their choice</u> Natural plant material to predominate. Space allowed: Width 60cm x Depth 60cm. Height optional. <u>NO FLORAL FOAM TO BE USED.</u></p> | | | |
| 305 | <u>'SUPERSTITIONS'</u> | £30 | £20 | £15 |
| | <p>An exhibit. Natural plant material to predominate. Space allowed: Width 60cm x Depth 60cm. Height optional. Exhibit title to be incorporated. <u>WHERE POSSIBLE BIODEGRADABLE FLORAL FOAM TO BE USED.</u></p> | | | |

| | | | | |
|-----|--|-----|-----|-----|
| 306 | <u>'A MAGICAL MOVIE'</u> | £30 | £20 | £15 |
| | <p>An exhibit. Natural plant material to predominate. Space allowed: Width 60cm x Depth 60cm. Height optional. Exhibit title to be incorporated. <u>WHERE POSSIBLE BIODEGRADABLE FLORAL FOAM TO BE USED.</u></p> | | | |
| 307 | <u>'THE VICTORIAN BRIDE'</u> | £45 | £30 | £20 |
| | <p>Design a lavish Cascading Bridal Bouquet of fresh flowers and foliage, capturing this magical period in history. Any modern Floristry techniques of construction may be used. Display with a complimentary drape of fabric. Space allowed: Width 90cms x Depth 60cms. Height optional. <u>This exhibit may be brought to the marquee already assembled.</u> Florists may enter this class. They are permitted to display a small business card no larger than 10cm x 6cm by the exhibit. <u>(Cards to be displayed after judging has been completed)</u> This class will be judged, and marks allocated in accordance with the UK Floristry Judges Guild, Judges Marking Facets. THE "HOWARD FRANKLIN" CRYSTAL ROSE BOWL</p> | | | |
| 308 | <u>'CARD TRICKS'</u> | £30 | £20 | £15 |
| | <p>In the style of an Abstract exhibit, to incorporate some playing cards. For definition of Abstract see NAFAS Competitions Manual (Fourth Edition 2023). Natural plant material to predominate. Space allowed: Width 60cm x Depth 60cm x Height optional. <u>WHERE POSSIBLE BIODEGRADABLE FLORAL FOAM TO BE USED</u> THE "ROSA PERRY LLOYD SALVER"</p> | | | |
| 309 | <u>'THE SECRET GARDEN'</u> | £25 | £15 | £10 |
| | <p>A Petite exhibit. Natural plant material to predominate. For definition of Petite see NAFAS Competitions Manual (Fourth Edition 2023). Space allowed: Width 25cm x Depth 25cm x Height 37.5cm. <u>Exhibit may be brought in already assembled.</u> <u>WHERE POSSIBLE BIODEGRADABLE FLORAL FOAM TO BE USED</u></p> | | | |

| | | | | |
|-----|---|-----|-----|-----|
| 310 | <u>'GOBLET OF FIRE'</u> | £65 | £45 | £25 |
| | <p>A Pedestal exhibit. Natural plant material to predominate. Exhibitor to provide <u>own</u> pedestal. Space allowed: Width 137cm x Depth 90cm. Height of exhibit optional. Pedestal will stand on a platform provided by the Society. Width 60cm x Depth 60cm x 7.5cm above ground level. <u>Exhibitors to provide own cover for platform.</u> <u>WHERE POSSIBLE BIODEGRADABLE FLORAL FOAM TO BE USED</u> THE ROYAL BANK OF SCOTLAND ROSE BOWL</p> | | | |
| 311 | <u>'SUMMER SOLSTICE'</u> | £25 | £15 | £10 |
| | <p>A Landscape exhibit. <u>Foliage MUST predominate.</u> Space allowed: Width 90cm x Depth 60cm. Height optional. For definition of a Landscape see NAFAS Competitions Manual (Fourth Edition 2023). <u>WHERE POSSIBLE BIODEGRADABLE FLORAL FOAM TO BE USED</u> THE BOBBIE HARRIS MEMORIAL TROPHY</p> | | | |
| 312 | <u>'ENCHANTED'</u> | £25 | £15 | £10 |
| | <p>A semi-imposed exhibit. Competitors will be provided with 5 Pink Roses <u>which must be used.</u> <u>Exhibitors to provide suitable mechanics & plant material of their choice.</u> <u>Open only to exhibitors staging two or more entries.</u> Space allowed: Width 60cm x Depth 60cm. Height optional. THE EDITH ANNE GRIFFITHS MEMORIAL VASE</p> | | | |
| 313 | <u>'SPELLBOUND'</u> | £30 | £20 | £15 |
| | <p>A Hand-tied exhibit Natural plant material to predominate. For definition of a Hand-tied exhibit see NAFAS Competitions Manual (Fourth Edition 2023). Space allowed: Width 60cm x Depth 60cm. Height optional. Exhibit must be displayed in exhibitors own transparent container. <u>Exhibit may be brought in ready assembled.</u> <u>NO FLORAL FOAM TO BE USED</u></p> | | | |

| | | | | |
|-----|--|-----|-----|-----|
| 314 | <u>'HOCUS POCUS'</u> | £30 | £20 | £15 |
| | <p>A Craft exhibit. An Open Umbrella from a fantasy world. For information about a Craft exhibit see NAFAS Competitions Manual (Fourth Edition 2023). Natural plant material to predominate. Space allowed: Width 100cm x 70cm. Height optional. Staged on a platform 40cm above ground level, which will be covered in Black Scrim. May be brought in pre-assembled. Can be secured to the wooden platform by using clear thread, if needed. Viewed and judged from above. <u>NO FLORAL FOAM TO BE USED.</u></p> | | | |
| 315 | <u>'A CLASSIC FAIRYTALE'</u> | £35 | £25 | £15 |
| | <p>A Novice Class. Exhibitor to check entry details. <u>For anyone who has never entered the Floral Art Section of the Shrewsbury Flower Show.</u> Natural plant material to predominate. Staged on tabling provided by the Society covered in pale green fabric, approximately 75cm from level ground. Space allowed: Width 60cm x Depth 60cm. Height optional. To be viewed and judged from the front. Exhibit title to be incorporated. THE "MURIEL TIPTON" TROPHY</p> | | | |
| 316 | <u>'AFTERNOON TEA TRAY'</u> | £30 | £20 | £15 |
| | <p>A composite display on a tray, to include suitable linen and china for one person and two items of home baking, together with a simple Arrangement of Flowers in a jug. Space allowed: Width 60cm x Depth 60cm. Height optional. <u>This exhibit may be brought to the marquee already assembled.</u> This class will be judged, and marks allocated in accordance with the UK Floristry Judges Guild, Judges marketing Facets.</p> | | | |



A HINT OF MAGIC



UNDER 18 YEARS FLORAL ART SECTION: The age of exhibitors entering the Junior/Intermediate/Senior Section must be included on the Entry Form.

Entry fee for Junior classes is £1.00 per class entered.

All classes will be JUDGED from the FRONT unless otherwise stated.

| Class | Description | 1st Prize | 2nd Prize | 3rd Prize |
|--------------|---|---------------------------------|---------------------------------|---------------------------------|
| | <u>Junior Section</u> (Children <u>under 8 years</u> of age on 1st August 2025) | | | |
| 322 | <u>'SUPERCALIFRAGILISTICEXPIALIDOCIOUS'</u> An exhibit. <u>Natural plant material to predominate.</u> Space allowed: Width 60cm x Depth 60cm. Height optional. The Exhibit may be brought in ready assembled. This <u>MUST</u> be staged and completed by no later than 8pm on Thursday 7 th August 2025. THE BBC CHILDREN'S CUP JUNIOR SECTION | £15 | £10 | £5 |
| | <u>Intermediate Section</u> (Children <u>under 13 years</u> of age on 1st August 2025) | | | |
| 323 | <u>'HOCUS POCUS'</u> An exhibit. <u>Natural plant material to predominate.</u> Space allowed: Width 60cm x Depth 60cm. Height optional. The Exhibit may be brought in ready assembled. This <u>MUST</u> be staged and completed by no later than 8pm on Thursday 7 th August 2025. THE BRASSINGTON GLASS BOWL | £20 | £15 | £10 |
| | <u>Senior Section</u> (Persons <u>under 18 years</u> of age on 1 st August 2025) | | | |
| 324 | <u>'ABRACADABRA'</u> An exhibit. <u>Natural plant material to predominate.</u> Space allowed: Width 60cm x Depth 60cm. Height optional. Exhibit to be arranged on Thursday 7 th August 2025 <u>between 5pm & 8pm in the Marquee under the supervision of a Steward.</u> THE BBC CHILDREN'S CUP SENIOR SECTION | £25 | £18 | £12 |

THE CHILDREN'S AREA WILL BE ROPED OFF DURING THE STAGING OF THE DISPLAYS.

Where possible Exhibitors are encouraged to use biodegradable floral foam.

The 2026 Shrewsbury Flower Show Friday 7th & Saturday 8th August



If you wish to be sent a Schedule for 2026, please visit our website and register online.

www.shrewsburyflowershow.org.uk

info@shrewsburyflowershow.org.uk